

## Sensor, Series ST4

- 4 mm C-slot
- with cable
- Plug, M8, 3-pin



### Certificates

UL (Underwriters Laboratories), cULus, RoHS

Ambient temperature min./max.

-30 ... 80 °C

Protection class

IP65, IP67

Switching point precision mT

±0,1

Min./max. DC operating voltage

See table below

Switching logic

NO (make contact)

Display

LED

LED status display

Yellow

Vibration resistance

10 - 55 Hz, 1 mm



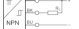
Shock resistance

30 g / 11 ms

Mounting screw

Combination: slotted and hexagon socket

## Technical data

Part No.		Type of contact	Cable length	Min./max. DC operating voltage	Voltage drop U at I <sub>max</sub>	DC switching current, max.
R412019682		Reed	0,3 m	5 ... 30 V DC	I*Rs	0,13 A
R412019683		electronic PNP	0,3 m	10 ... 30 V DC	≤ 2,5 V	0,1 A
R412019694		electronic NPN	0,3 m	10 ... 30 V DC	≤ 2,5 V	0,1 A

Part No.	AC switching current, max.	Switching capacity	Version
R412019682	0,13 A	3 W / 3 VA	short circuit resistant, Protected against polarity reversal
R412019683	-	-	short circuit resistant, Protected against polarity reversal
R412019694	-	-	short circuit resistant, Protected against polarity reversal

Part No.	Mounting screw
R412019682	Combination: slotted and hexagon socket
R412019683	Combination: slotted and hexagon socket
R412019694	Combination: slotted and hexagon socket

## Technical information

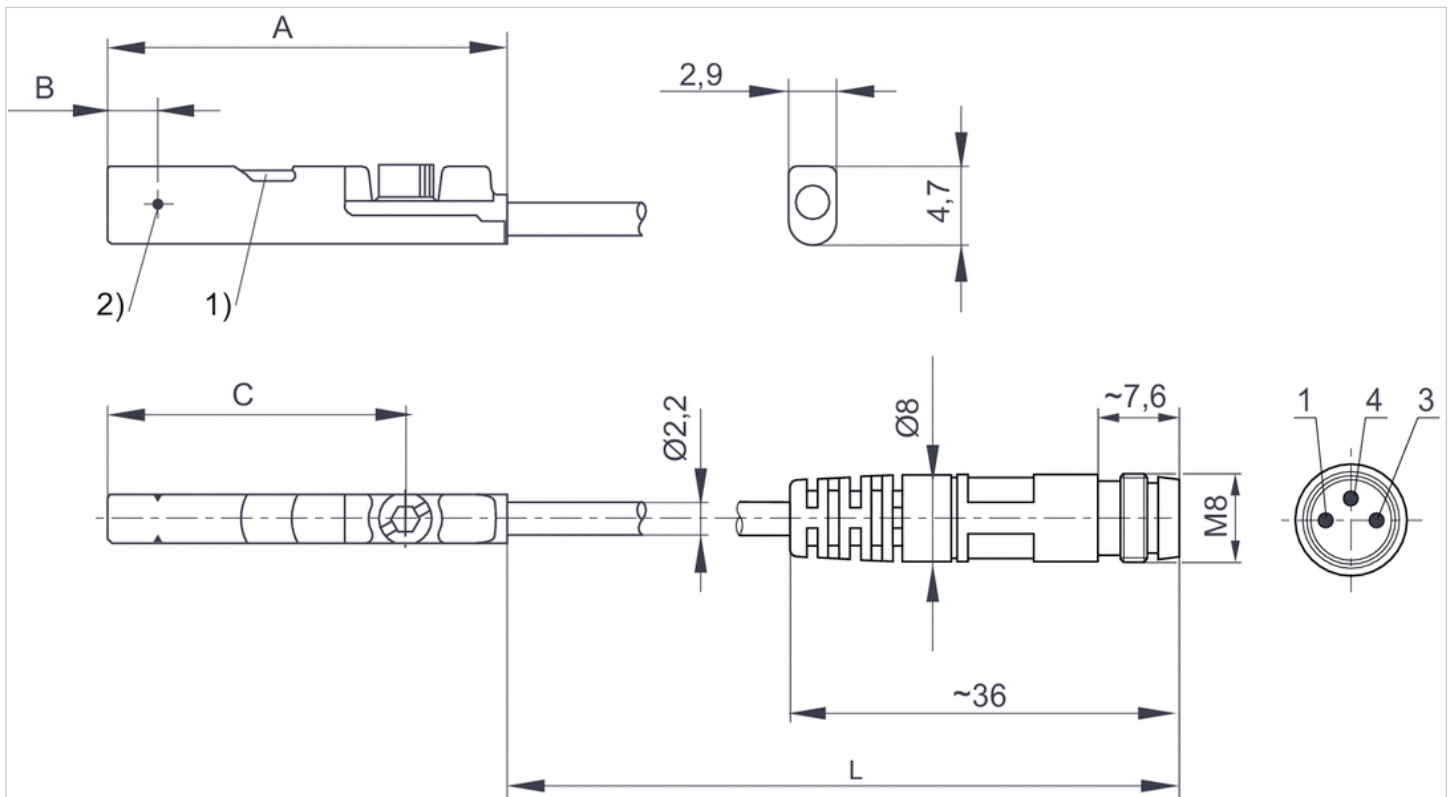
The max. switching capacity must not be exceeded.

## Technical information

Material	
Housing	Polyamide, fiber-glass reinforced
Cable sheath	Polyurethane

## Dimensions

## Dimensions



1) LED 2) Switching point L = cable length Pin assignment: 1 = (+), 3 = (-), 4 = (OUT)



Siège Social Douala - Cameroun B.P. 12591 Douala  
 contact@2comappro.com  
 Tél : + 237 233 424 913  
 et + 237 674 472 158

[www.2comappro.com](http://www.2comappro.com)