

Sensor, Series IN1

- for locking unit, series LU6



Standardization	DIN EN 60947-5-2
Certificates	cULus
Ambient temperature min./max.	-20 ... 65 °C
Protection class	IP67
Hysteresis	5 - 15%, adjustable
Temperature drift	± 10 %
Residual ripple	≤ 10 %
Reproducibility	≤ 2 %
Switching logic	NO (make contact)
LED status display	Yellow

Technical data

Part No.	Operating voltage	Switching distance max.	Power consumption	Continuous current	Short circuit resistance
R412010426	10 ... 30 V DC	2 mm	10 mA	0,2 A	short circuit resistant, Protected against polarity reversal

Technical information

Flush installation

No

pressure applied to locking unit, clamping pliers are closed, sensor emits a signal (feedback that LU6 is clamping)

Technical information

Material

Housing	Brass
---------	-------

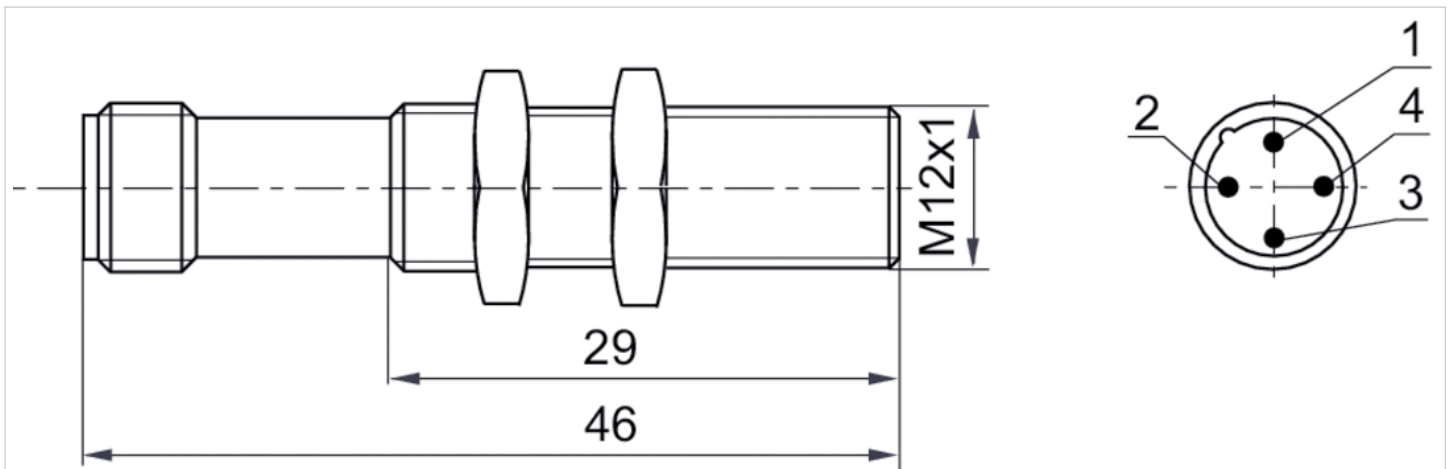


Siège Social Douala - Cameroun B.P. 12591 Douala
 contact@2comappro.com
 Tél : + 237 233 424 913
 et + 237 674 472 158

www.2comappro.com

Dimensions

Dimensions



2) not assigned

Socket, M12x1, Series CN2

- Socket, M12x1, 4-pin, A-coded, straight



Ambient temperature min./max.

-25 ... 90 °C

Protection class

IP67

Weight

0,028 kg

null

The delivered product may vary from that in the illustration.

Technical data

Part No.	Operating voltage	Max. current	suitable cable-Ø min./max	Housing color
	V AC max.			
8941054324	48 V AC	4 A	4 / 8 mm	Black

Technical information

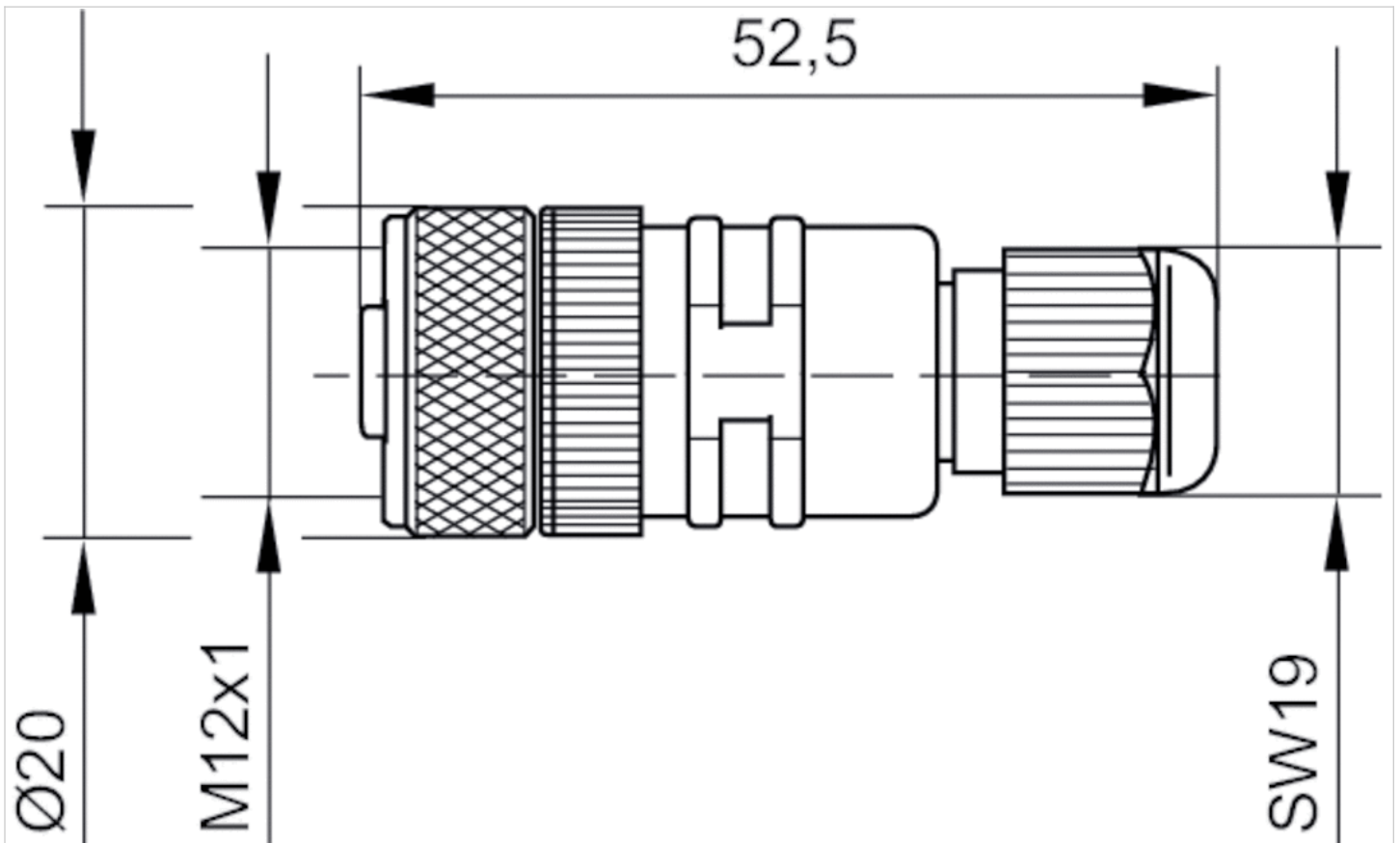
The specified protection class is only valid in assembled and tested state.

Technical information

Material	
Housing	Polybutyleneterephthalate
Seals	Fluorocarbon caoutchouc

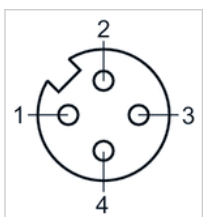
Dimensions

Dimensions



Pin assignments

Pin assignment socket



Socket, M12x1, Series CN2

- Socket, M12x1, 4-pin, A-coded, angled



Ambient temperature min./max.	-25 ... 90 °C
Protection class	IP67
Weight	0,027 kg

Technical data

Part No.	Operating voltage	Max. current	suitable cable-Ø min./max	Housing color
	V AC max.			
8941054424	48 V AC	4 A	4 / 8 mm	Black

Technical information

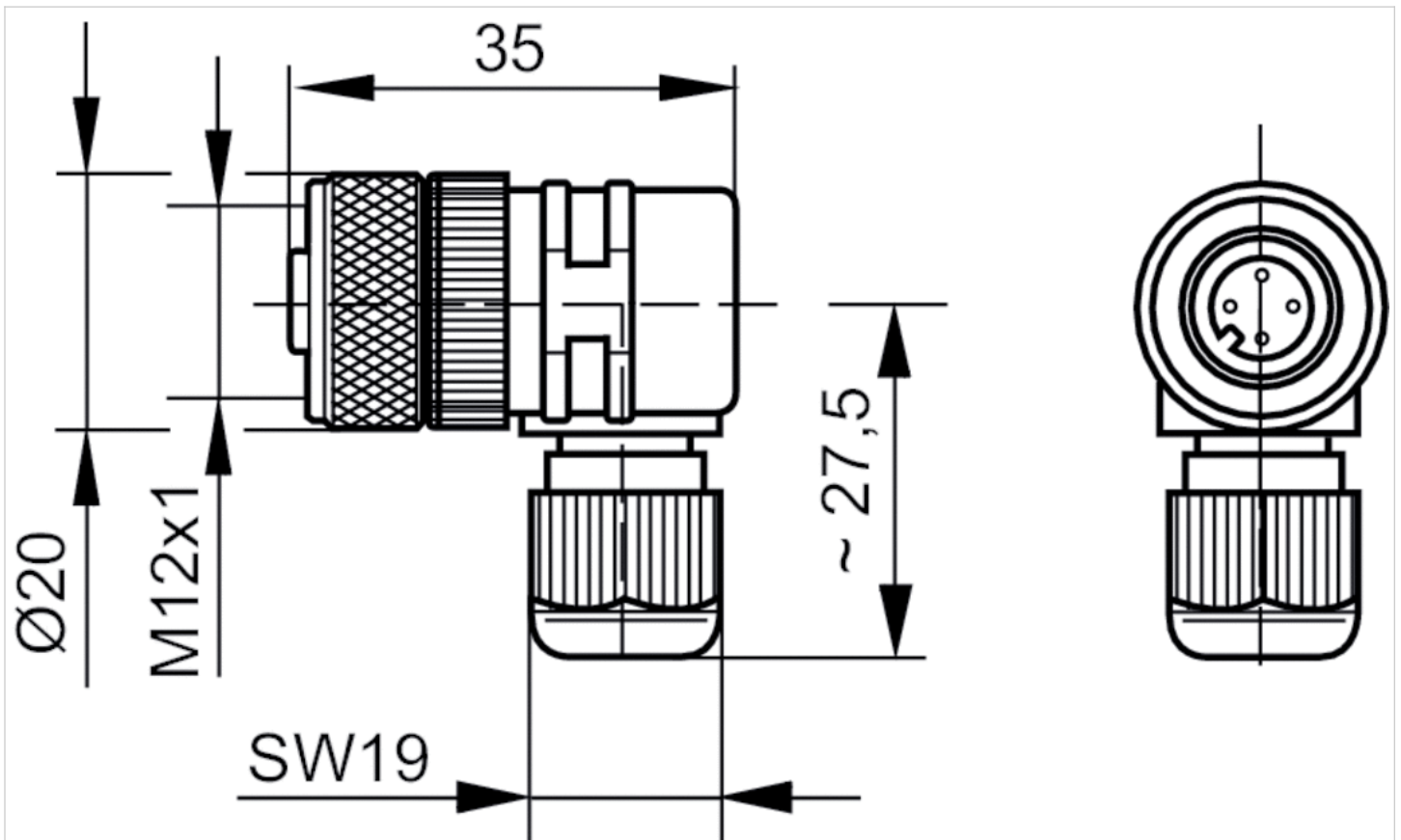
The specified protection class is only valid in assembled and tested state.

Technical information

Material	
Housing	Polybutyleneterephthalate
Seals	Fluorocarbon caoutchouc

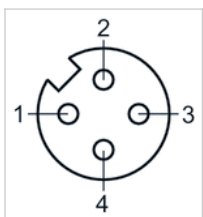
Dimensions

Dimensions



Pin assignments

Pin assignment socket



Connecting cable, Series CN2

- Socket, M12x1, 5-pin, A-coded, angled
- without wire end ferrule, tin-plated, 4-pin



Ambient temperature min./max.	-40 ... 85 °C
Operational voltage AC, max.	48 V AC
Protection class	IP65
Wire cross-section	0,34 mm ²
Weight	See table below

1	↷	—	BN
2	↷	—	WH
3	↷	—	BU
4	↷	—	BK
5	↷		

Technical data

Part No.	Max. current	Number of wires	Cable length	Cable color	Weight
1834484259	4 A	4	3 m	Black	0,13 kg
1834484260	4 A	4	5 m	Black	0,202 kg
1834484261	4 A	4	10 m	Black	0,387 kg

Technical information

The specified protection class is only valid in assembled and tested state.

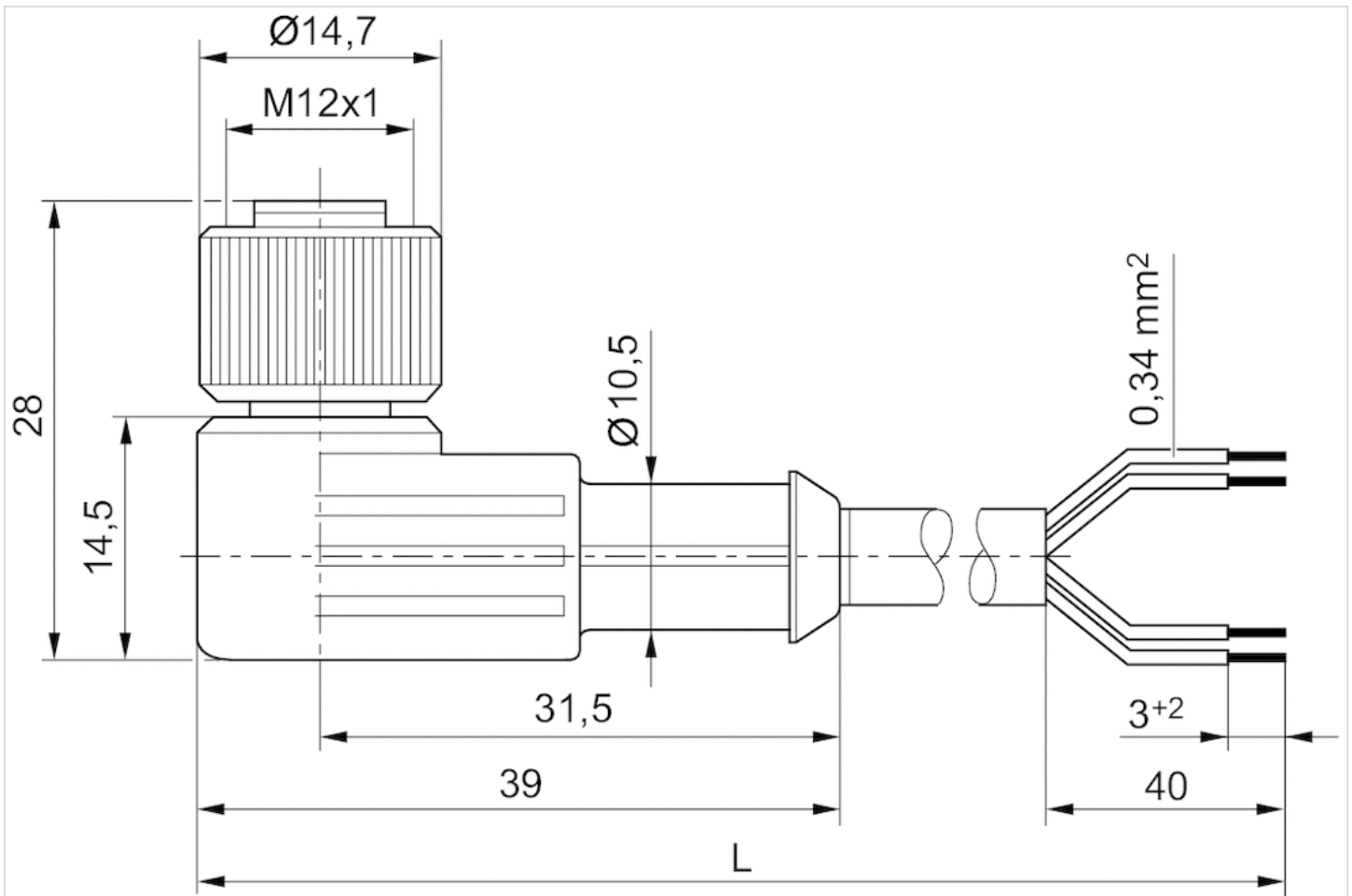
Technical information

Material

Cable sheath	Polyurethane
--------------	--------------

Dimensions

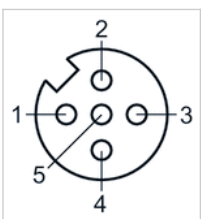
Dimensions



L = length

Pin assignments

Pin assignment socket



- (1) BN=brown
- (2) WH=white
- (3) BU=blue
- (4) BK=black(5) not assigned

Socket, M12x1, Series CN2

- Socket, M12x1, 5-pin, A-coded, straight
- for CANopen, DeviceNet



Ambient temperature min./max.	-40 ... 85 °C
Protection class	IP67
Weight	0,016 kg

Technical data

Part No.	Field bus protocol	Operating voltage	Max. current	suitable cable-Ø min./max	Housing color
		V AC max.			
4407230020	CANopen, DeviceNet	36 V AC	4 A	4 / 6 mm	Black

Technical information

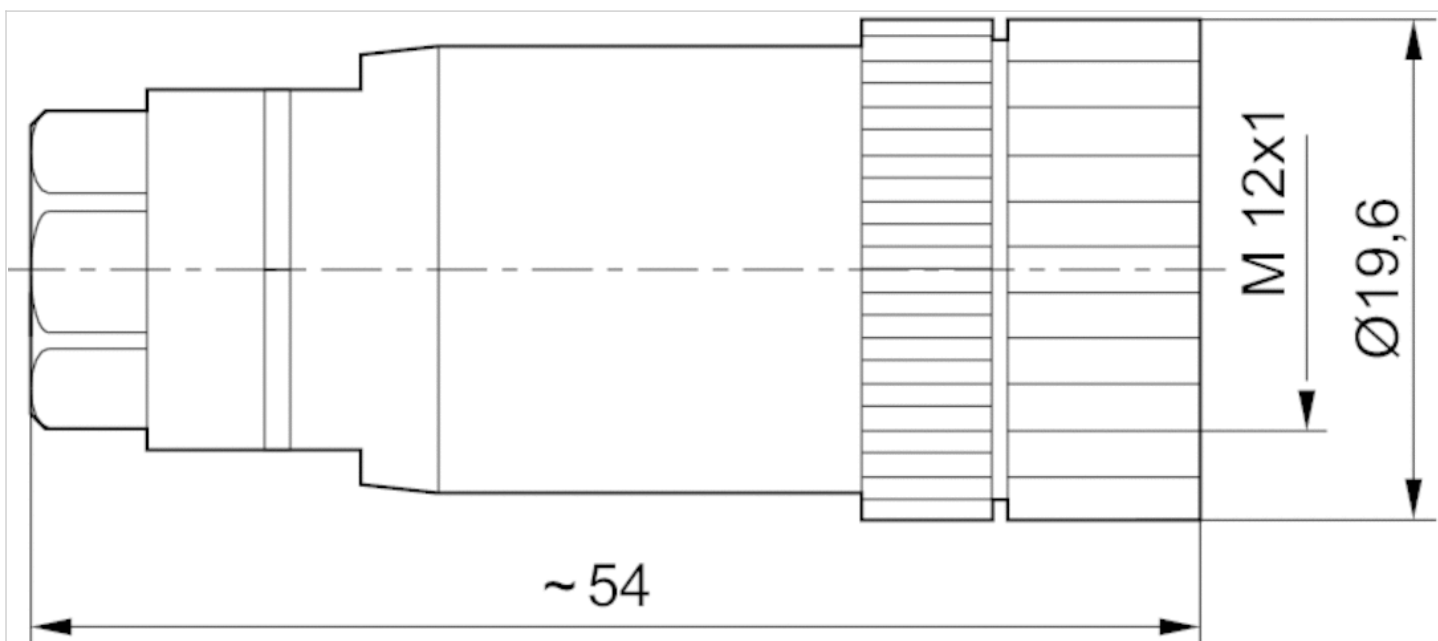
The specified protection class is only valid in assembled and tested state.

Technical information

Material	
Housing	Polyamide

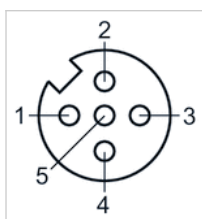
Dimensions

Dimensions



Pin assignments

Pin assignment socket



Siège Social Douala - Cameroun B.P. 12591 Douala
contact@2comappro.com
Tél : + 237 233 424 913
et + 237 674 472 158

www.2comappro.com